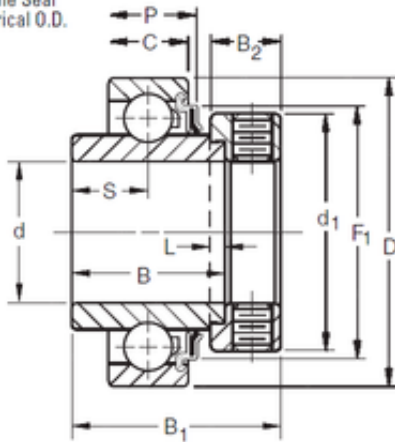




# BEARING CORP.of CANADA LTD.

KR One Seal  
Cylindrical O.D.



## 31.75 mm x 72 mm x 37,7 mm Timken 1104KR Ball Insert Bearings

Bearing No. 1104KR

Size	31.75x72x37.7 mm
Bore Diameter	31.75 mm
Outer Diameter	72 mm
Width	37,7 mm
d	31.75 mm
D	72 mm
B	37,7 mm
C	17 mm
P	18,34 mm
O	19,69 mm
d1	54 mm
B1	51,2 mm
B2	17,1 mm
L	4 mm
S	18,85 mm
F1	60,55 mm
Weight	0,653 Kg
Basic dynamic load rating (C)	28,5 kN

1104KR Bearing 2D drawings and 3D CAD models