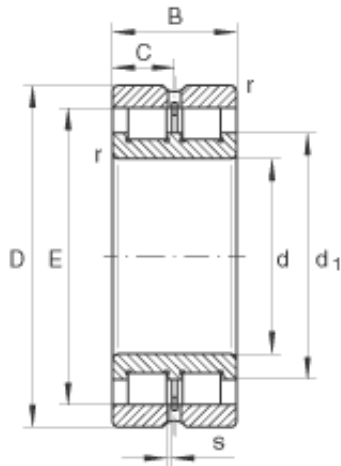




# BEARING CORP.of CANADA LTD.



## 170 mm x 215 mm x 45 mm INA SL024834 Cylindrical Roller Bearings

Bearing No. SL024834

SL024834 Bearing 2D drawings and 3D CAD models

Size	170x215x45 mm
Bore Diameter	170 mm
Outer Diameter	215 mm
Width	45 mm
d	170 mm
D	215 mm
B	45 mm
C	22,5 mm
d <sub>1</sub>	186,3 mm
E	201,3 mm
r <sub>min</sub>	1,1 mm
s	3 mm / Axial displacement
	NNCL4834V / Designation to DIN 5412
m	3,95 kg / Weight
C <sub>r</sub>	260000 N / Dynamic load rating (radial)
C <sub>0r</sub>	600000 N / Static load rating (radial)
C <sub>ur</sub>	68000 N / Fatigue limit load, radial
n <sub>G</sub>	1670 1/min / Limiting speed
Category	Cylindrical Roller Bearings
Inventory	0.0
Manufacturer Name	SCHAEFFLER GROUP
Minimum Buy Quantity	N/A



## BEARING CORP.of CANADA LTD.

Weight / Kilogram	4.73
EAN	4047643175531
Product Group	B04144
Bore Profile	Straight
Cage Material	None
Precision Class	RBEC 1   ISO P0
Number of Rows of Rollers	Double Row
Separable	Outer Ring - Both Sides
Rolling Element	Cylindrical Roller Bearing
Profile	Complete with Outer and Inner Ring
Snap Ring	No
Internal Clearance	C0-Medium
Retainer	No
Relubricatable	Yes
Inch - Metric	Metric
Other Features	Full Complement   3 Rib Inner Ring   Plain Outer Ring   Operating Temperature From -30 to 120 Deg
Long Description	170MM Bore; Straight Bore Profile; 215MM Outside Diameter; 45MM Width; RBEC 1   ISO P0; Double Row; Outer Ring - Both Sides Separable; No Snap Ring; Relubricatable; C0-Medium Internal Clearance; No Re
Category	Cylindrical Roller Bearing
UNSPSC	31171547
Harmonized Tariff Code	8482.50.00.00
Noun	Bearing
Manufacturer URL	<a href="http://www.ina.com">http://www.ina.com</a>
Manufacturer Item Number	SL024834



## BEARING CORP.of CANADA LTD.

Weight / LBS	10.428
Bore	6.693 Inch   170 Millimeter
Outside Diameter	8.465 Inch   215 Millimeter
Width	1.772 Inch   45 Millimeter